

FIRE ALARM PLENUM CABLE REQUIREMENTS FROM NATIONAL ELECTRICAL CODE

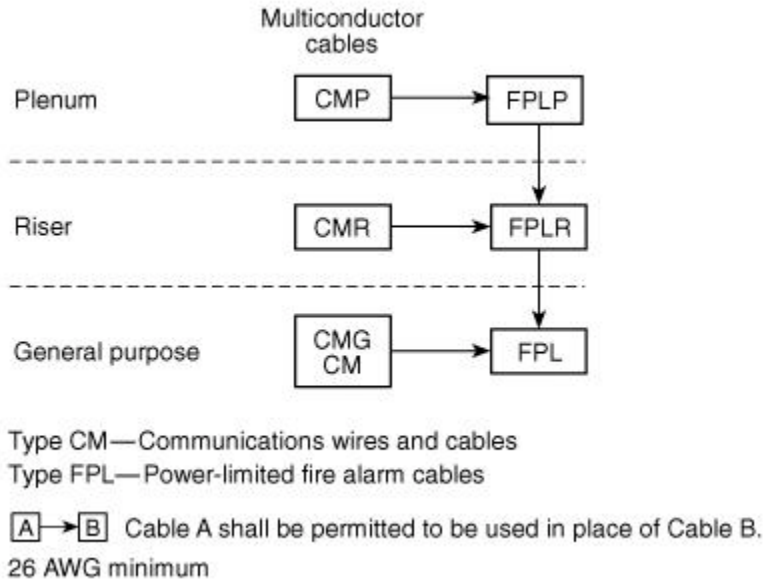


Figure 760.61 Cable Substitution Hierarchy.

(D) Fire Alarm Cable Substitutions. The substitutions for fire alarm cables listed in [Table 760.61](#) shall be permitted. Where substitute cables are installed, the wiring requirements of Article 760, Parts I and III shall apply.

FPN: For information on communications cables (CMP, CMR, CMG, CM), see [800.179](#).

Cable Type	References	Permitted Substitutions
FPLP	760.61(A)	CMP
FPLR	760.61(B)	CMP, FPLP, CMR
FPL	760.61(C)	CMP, FPLP, CMR, FPLR, CMG, CM

Table 760.61 Cable Substitutions